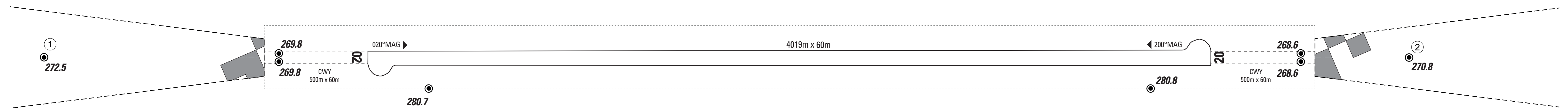
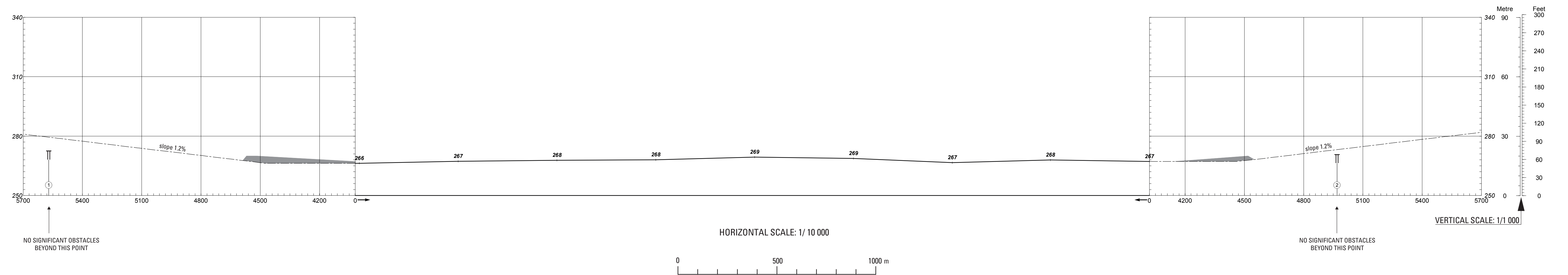


**AERODROME OBSTACLES CHART - ICAO
TYPE A OPERATING LIMITATIONS**

**MEROWE - HSMN
RWY 02/20**

MAGNETIC VARIATION: 3.0° E (2015)
DIMENSIONS AND ELEVATIONS IN METRES (AMSL)

RWY 02	DECLARED DISTANCES		RWY 20
4019	TORA	TAKE-OFF RUN AVAILABLE	4019
4519	TODA	TAKE-OFF DISTANCE AVAILABLE	4519
4119	ASDA	ACCELERATE STOP DISTANCE AVAILABLE	4119
4019	LDA	LANDING DISTANCE AVAILABLE	4019



BASED ON SURVEY DATED AUGUST 2014.

LEGEND FOR AERONAUTICAL INFORMATION	
① IDENTIFICATION NUMBER	▮ OBSTACLE NON - PENETRATING THE FLIGHT PATH AREA
⊙ POLE, TOWER, SPIRE, ANTENNA, ETC...	
▬ TERRAIN PENETRATING	

The horizontal dimensions and the elevations of the runway, stopway and clearway are determined to the nearest 0.5 m (1 ft).
Accuracy of horizontal distances: 5 m (15 ft) at point of origin increasing at a rate of 1 per 500.
Accuracy of vertical distances: 0.5 m (1.5 ft) in the first 300 m (1 000 ft) and increasing at a rate of 1 per 1 000.

AMENDMENT RECORD		
N°	DATE	ENTERED BY